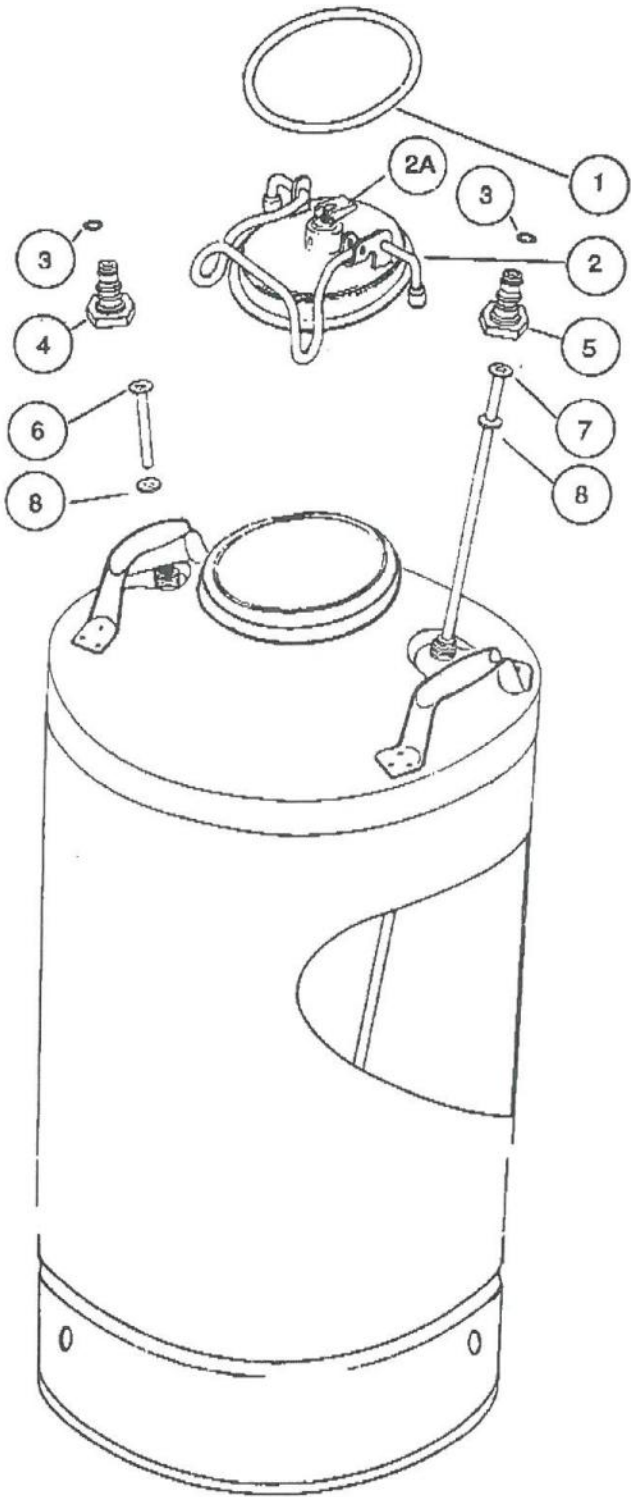


# 10 & 15 Gallon Strap Handle General Container

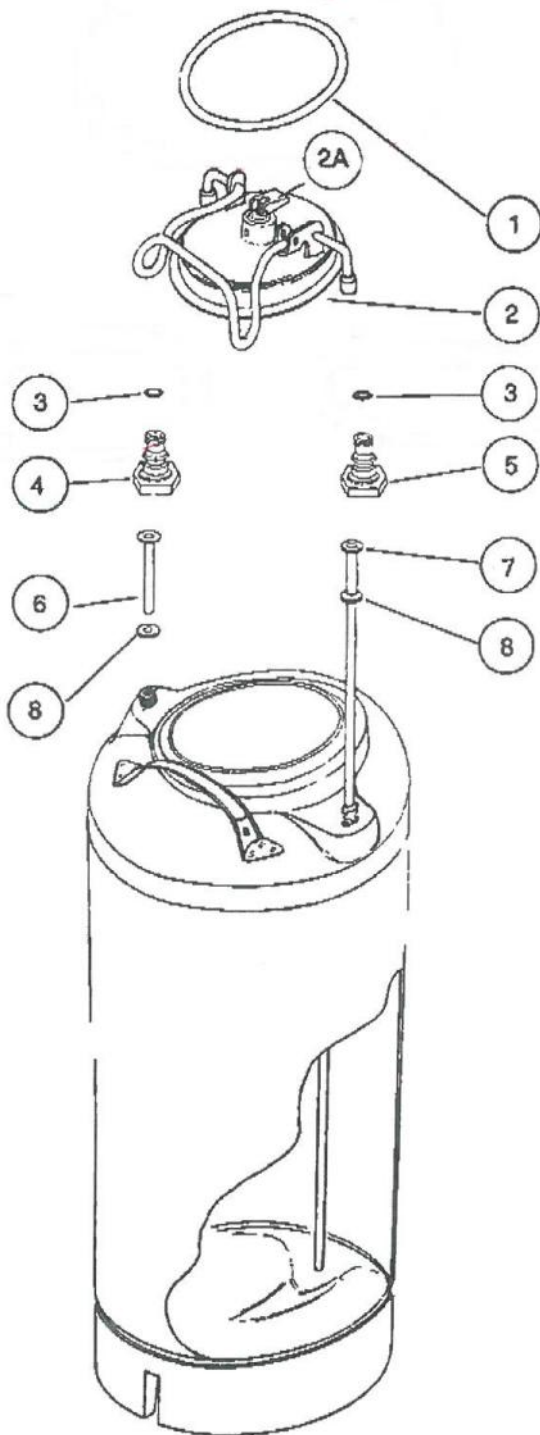


| INDEX # | PART #  | DESCRIPTION                  |
|---------|---------|------------------------------|
| 1       | 36082   | Lid Gasket                   |
| 2       | 39567PS | Closure Oval Lid             |
| 2A      | 30070   | Pressure Relief Valve        |
| 3       | 36518   | O Ring for Plugs             |
| 4       | 36517   | Inlet/Gas Plug – 1-5/32"     |
| 5       | 36516   | Outlet/Liquid Plug – 1-5/32" |
| 6       | 39587   | Level Tube                   |
| 7       | 39723   | Dip Tube - 15 Gallon         |
| 7       | 34081   | Dip Tube – 10 Gallon         |
| 8       | 36515   | O Ring for Level & Dip Tube  |



600 MAIN ST., SHARPSVILLE, PA 16150 (724) 962-1100  
[sales@scacon.com](mailto:sales@scacon.com) – [www.sharpsvillecontainer.com](http://www.sharpsvillecontainer.com)

# 3 & 5 Gallon General Container



| INDEX # | PART #  | DESCRIPTION                  |
|---------|---------|------------------------------|
| 1       | 36082   | Lid Gasket                   |
| 2       | 39567PS | Closure Oval Lid             |
| 2A      | 30070   | Pressure Relief Valve        |
| 3       | 36518   | O Ring for Plugs             |
| 4       | 30035   | Inlet/Gas Plug – 1-5/32"     |
| 5       | 30036   | Outlet/Liquid Plug – 1-5/32" |
| 6       | 39587   | Level Tube                   |
| 7       | 34077   | Dip Tube - 5 Gallon          |
| 7       | 39327   | Dip Tube – 3 Gallon          |
| 8       | 36515   | O Ring for Level & Dip Tube  |



**SHARPSVILLE**  
CONTAINER

600 MAIN ST., SHARPSVILLE, PA 16150 (724) 962-1100  
[sales@scacon.com](mailto:sales@scacon.com) – [www.sharpsvillecontainer.com](http://www.sharpsvillecontainer.com)